



The Space You Want.
The Experience You Deserve.

The Marcus Corporation

RFQ Response

February 15, 2024



Contents

M&M Profile	4
Haworth Profile	5
Project Team	11
Renderings & Pricing	18
Schedule	23
Portfolio Examples	24



11

Our Team

Your dedicated project team understands the relationship between people and space. We will work in an advisory role, ensuring you have the necessary resources to make informed decisions throughout the life of the project. Your goal are ours: to develop spaces that suit your unique workforce and support your organizational objectives.



The contents of this submission and any attachments are confidential and intended solely for the sole purpose of Client's inquiry. Any alternative use, reproduction or dissemination of this submission is strictly prohibited.



Thank you for giving M&M Office Interiors and Haworth the opportunity to present our products, services, and unique capabilities to you. We are anxious to be a part of your project team, and to utilize our proven process to create a tailored solution that is inspirational, innovative, and productive. We would be proud to add the Marcus Corporation to our long list of satisfied clients.



M&M Office Interiors is dedicated to building long-term client relationships and sharing our knowledge about the ever-changing world of work. We create inspirational, highly productive work environments utilizing world-class products. We are proud to be a “Best in Class” Haworth Dealer. With showrooms in Milwaukee and Madison we have been serving clients throughout the Midwest for over 60 years.

Our focus is simple:

The Space You Want...The Experience You Deserve.®



We have the expertise to create an unparalleled work environment that reflects the culture, history, and spirit of an organization, while fostering collaboration and increasing productivity. We work closely with our clients, providing knowledge and insight to create an ideal space.



Our Guiding Principles

- Customer focused
- Our team is our most important asset
- Industry and community minded



Our Promise

- We are insatiably curious
- We are problem solvers
- We provide exceptional value
- We build partnerships

Our Values

Honesty | Integrity | Innovation | Reliability | Teamwork | Accountability

Entrepreneurial



As a family-owned company through three generations, we pursue the long-term horizon. Our entrepreneurial spirit, professional leadership, passion for innovation, and accountability drive us to make investments for the future to benefit our clients, members, and communities.

Design Forward



Our in-house Global Innovation and Research teams partner with respected research institutions and leading product designers to uncover the latest trends and apply collaborative knowledge for innovative perspectives.

About Haworth

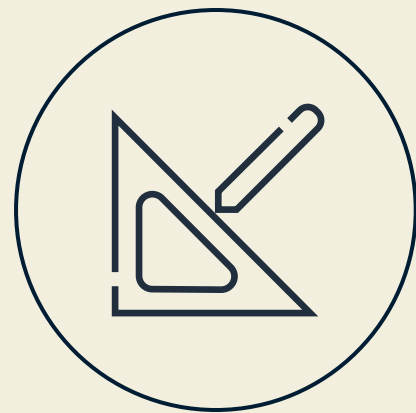
Multicultural



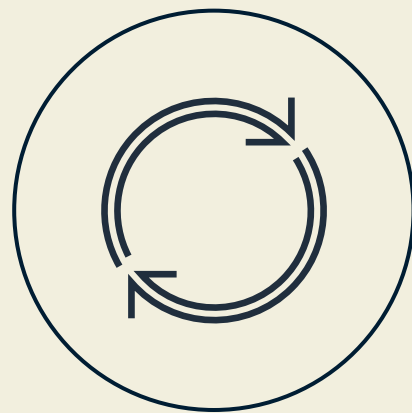
Our diversity of thought comes from our members' perspectives around the world. We design, source, and manufacture products in the markets where they are delivered.

Haworth's Approach

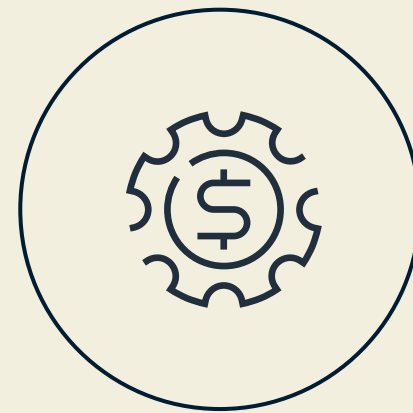
Haworth leads with design. Learning and innovation spur us to deliver the best workplace solutions. We collaborate with our partners and clients from around the world to bring broad perspectives and creative solutions to our Organic Workspace approach.



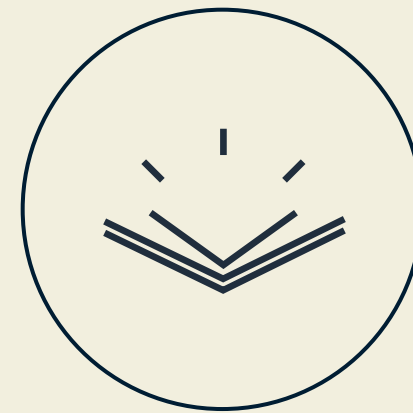
We Lead with Design



We Work to Make the World Better



We Create Value



We Embrace Continuous Learning



We Honor Integrity

Your Dedicated Team



Tim O'Donnell
Work Space Consultant
todonnell@mmoffice.com
262.317.1800

Creative Team

Business Team

Manufacturer Representative



Paul Groth
Principal/Large Account Manager
pgroth@mmoffice.com
262.317.1609



Katie Fonda
Haworth
Dealer Sales Manager



Julia Goetzka
Director of Sales
jgoetzka@mmoffice.com
608.824.1414

Project Management



Lisa Blazek
Design Manager
lblazek@mmoffice.com
262.317.1611



Jeff Klippel
Operations Manager
jklippel@mmoffice.com
262.317.1801



Peter Kordus
President/CEO
pkordus@mmoffice.com
262.409.2795



Years of Industry Experience: 35+

Marcus Memory

To me the Marcus portfolio is synonymous with fun! From weddings at the Pfister, to skiing at Grand Geneva, and playing golf at the Highlands and the Brute, to quality time with family at the movies.

The best of things!

Account Manager

Tim O'Donnell

262.317.1800

todonnell@mmoffice.com



Years of Industry Experience: 35+

Marcus Memory

In the Summer of 1997, I had the great pleasure of attending a wedding at the Pfister for George Bennett. The ceremony was joyful and full of energy. It was an experience that I will never forget.

Operations Manager

Jeff Klippel

262.317.1801

jklippel@mmoffice.com



Years of Industry Experience: 35+

Marcus Memory

I took some time to review the Marcus portfolio and businesses and quickly realized how much a part of my life Marcus is and has been. I have been at 7 or the 15 hotels (including one very memorable stay as a boy during the 1977 NBA Allstar game with all the players also staying at the Pfister; Kareem, Pistol Pete, Dr. J. . .), 12 of the 22 restaurants, and as a Lake Geneva area resident have belonged to the Grand Geneva fitness and Spa for many years including dozens of visits to the Brute and Highlands. We all, have also benefited from the many influences of the Marcus Foundation with its support of the Symphony, performing arts and many other venues and donations. Truly an important part of life in Wisconsin I am grateful for!

Principal/Large Account Manager

Paul Groth

262.317.1609

pgroth@moffice.com



Years of Industry Experience: 25+

Marcus Memory

I've been to Blu at the Pfister for Afternoon Tea on several occasions. It's always been quite lovely complete with beautiful views of the Milwaukee Skyline and Lake Michigan. The most special memory of Afternoon Tea I have was taking my mom for her birthday. As always, the tea Butler spent time explaining the different types of teas as well as which of the flavor additions to pair with them. As we were enjoying our tea and finger foods, we were surprised to receive Opera cake on a plate complete with candles. At this time the harpist began to play "Happy Birthday". It was touching to experience this special celebratory gesture in the midst of what was already a beautiful afternoon.

Design Manager

Lisa Blazek NCIDQ, WRID, ASID, LEED AP

262.317.1611

lblazek@mmoffice.com



Years of Industry Experience: 25+

Marcus Memory

I first learned of the “secret hideout” nature of the Safehouse while living in Michigan. My husband had visited and found it several times with his family on childhood vacations to Milwaukee. Early in our marriage we traveled to Milwaukee and wandered around, intent on finding it, using his memory of the neighborhood. Our efforts were rewarded as we excitedly stepped into the fake foyer, found the call button and were ushered in through the dark hallway. Years later, after moving to Madison, we’ve enjoyed taking our kids and they now are visiting with their own friends as teens. The unique nature of the discovery experience, its nod to historical speakeasys and the fun memories made there, make the Safehouse a favored spot for my family.

Director of Sales

Julia Goetzka IIDA, WRID

608.824.1414

jgoetzka@mmoffice.com



Years of Industry Experience: 35+

Marcus Memory

My favorite Marcus memory is of a very significant moment in my life...In December of 1986 after seeing a Rosemary Clooney Christmas show at the Riverside theater, my girlfriend (who I had dated all through college) and I stopped at the Café Ole' bar at the Pfister Hotel for a cocktail. At that time there was a piano player entertaining. As I passed the piano player, I asked him to play "As Time Goes By" from the movie Casablanca, which was a favorite of ours. While the song was playing, I proposed, she said yes, and we have now been married for 37 years.

President/CEO

Peter Kordus

262.409.2795

pkordus@moffice.com



Years of Industry Experience: 10+

Marcus Memory

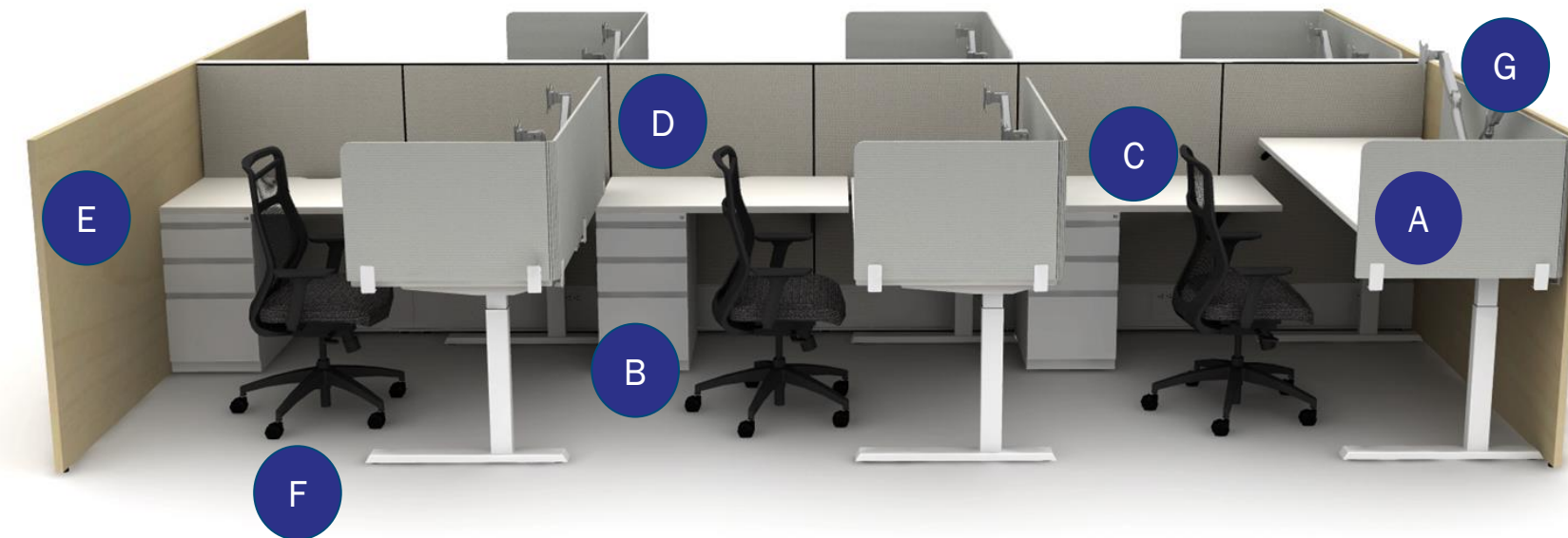
When I was growing up, my folks would reward my sister and I with a trip to Wisconsin. These trips always included a movie at the theater. The theater felt so grand and special compared to our local theater, and it was always a special occasion.

Haworth Dealer Sales Manager

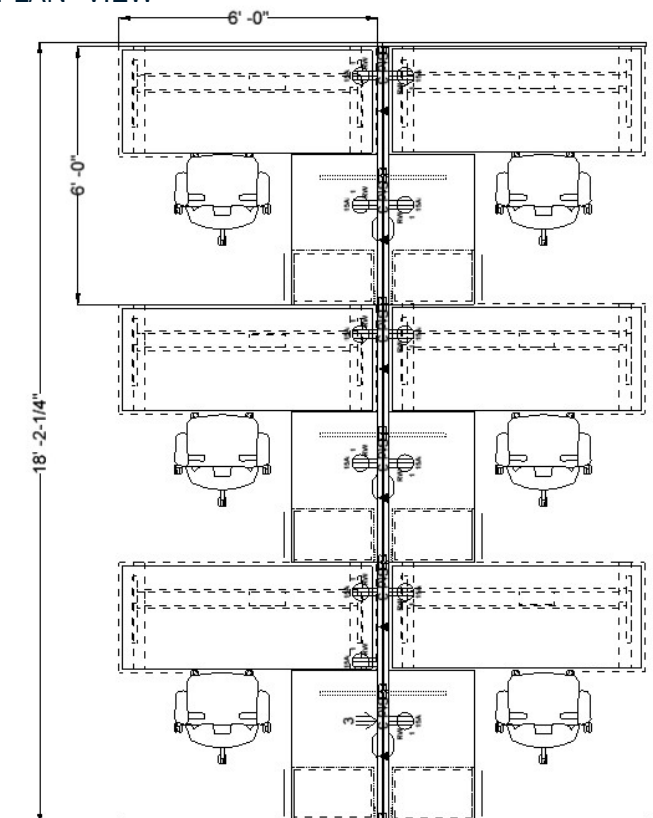
Katie Fonda

NOTES

- A. 29" x 70" Height Adjustable Table with Wrap Around PET Screen
- B. Pedestal with Box, Box, File Drawers
- C. 24" x 42" Return Surface
- D. 50" High Tackable Panel
- E. 50" High Laminate Gallery Panel
- F. Task Chair
- G. Dual Monitor Arm with Integrated Power and USB



PLAN VIEW



Workstations - 6' x 6' Option 1



Hexy



Mobio with Power

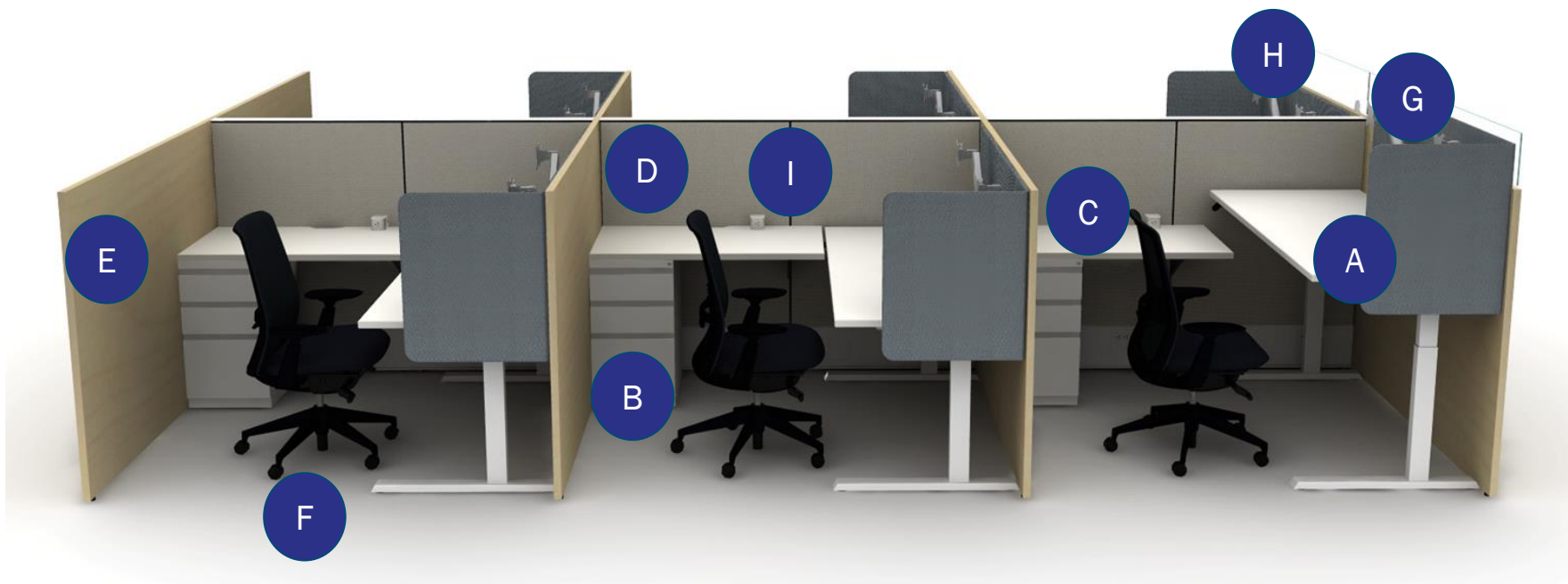


PET Screen

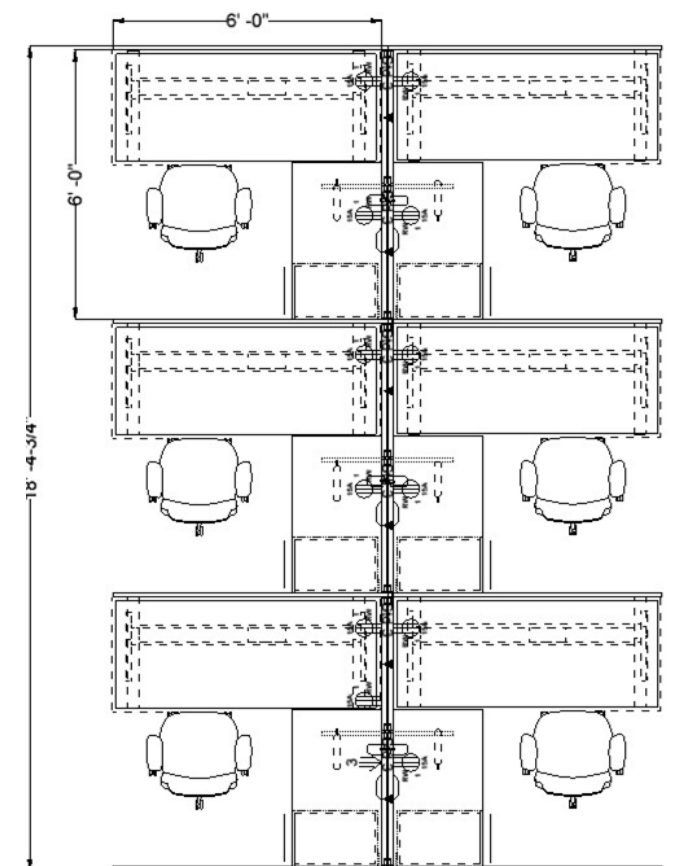


NOTES

- A. 29" x 70" Height Adjustable Table with Wrap Around Echo Screen
- B. Pedestal with Box, Box, File Drawers
- C. 24" x 42" Return Surface
- D. 50" High Tackable Panel
- E. 50" High Laminate Gallery Panel
- F. Task Chair
- G. 50" High Laminate Gallery Panel with Frameless Glass
- H. Dual Monitor Arm
- I. Power Module



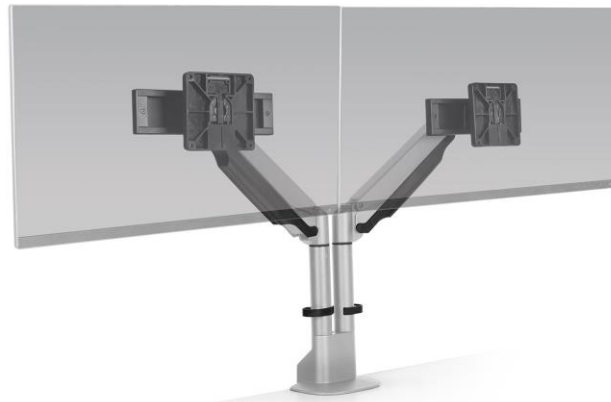
PLAN VIEW



Workstations - 6' x 6' Option 2



Soji



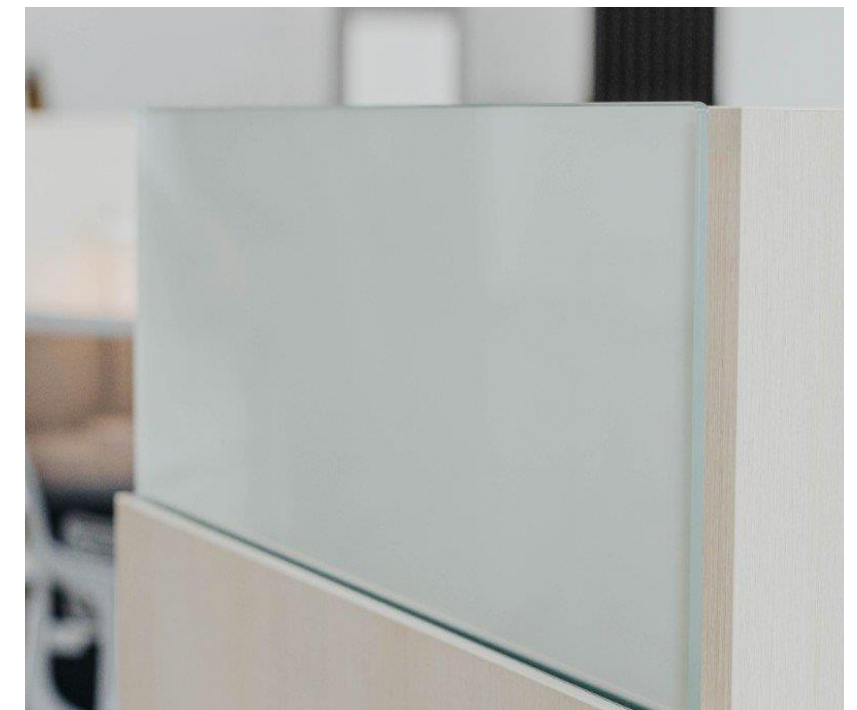
E2 Dual



Belong Power



Echo Screen



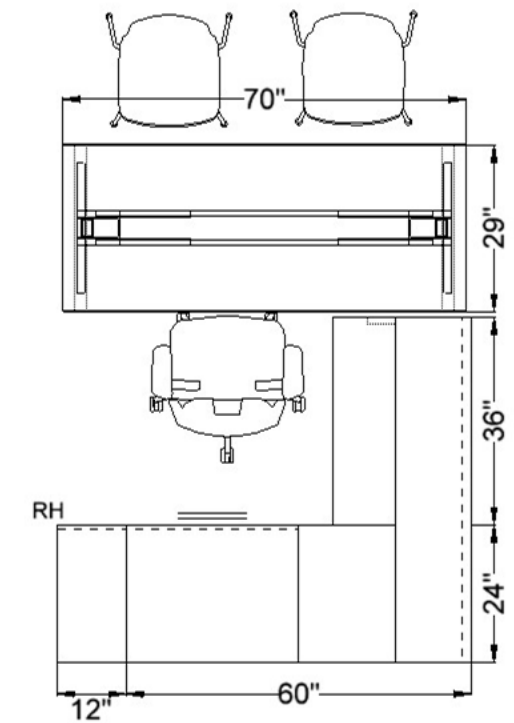
Frameless Glass



NOTES

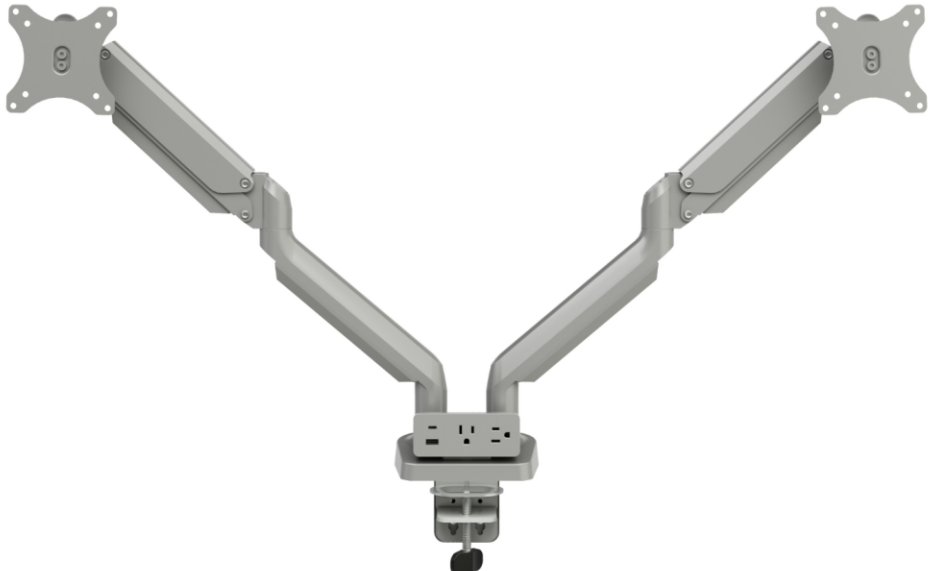
- Calibrate Laminate Desking
- A. 29" x 70" Height Adjustable Table with Modesty Panel
- B. 30" Lateral File
- C. 24" x 36" Return Surface
- D. 24" x 60" Credenza Surface
- E. 50" High Wardrobe
- F. 60" Wall-Mounted Shelf with Task Light
- G. 24" Markerboard
- H. 36" Tackboard
- I. Task Chair
- J. Guest chair
- K. Dual Monitor Arm with Integrated Power and USB

PLAN VIEW





Hexy



Mobio with Power



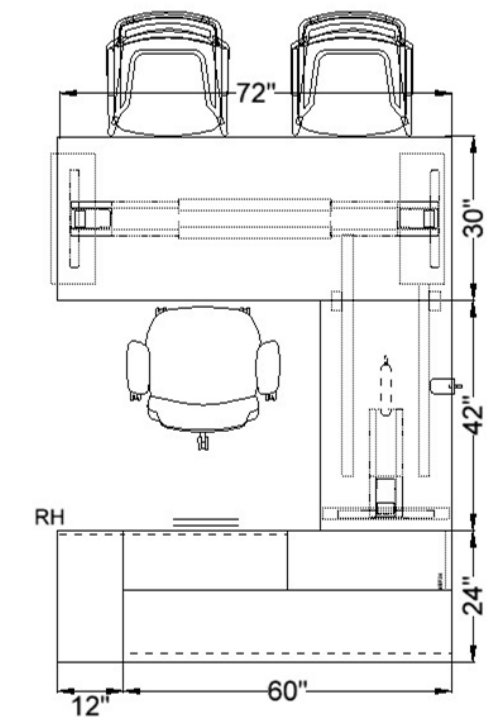
Mika

NOTES

- Calibrate Laminate Desking
 A. 30" x 72" L - Shape Height Adjustable Table with Modesty Panel and Shroud
 B. 30" Lateral File
 C. 24" x 60" Credenza Surface
 D. 12" x 66" Wardrobe
 E. 60" Wall-Mounted Shelf with Task Light
 F. 30" Tackboard
 G. 30" Markerboard
 H. Task Chair
 I. Guest Chair
 J. Power Suite
 K. Dual Monitor Arm

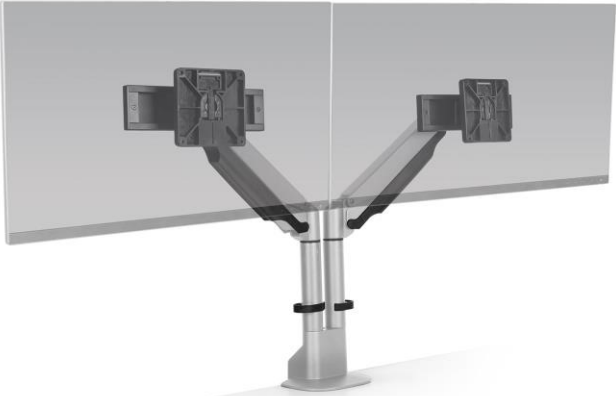


PLAN VIEW

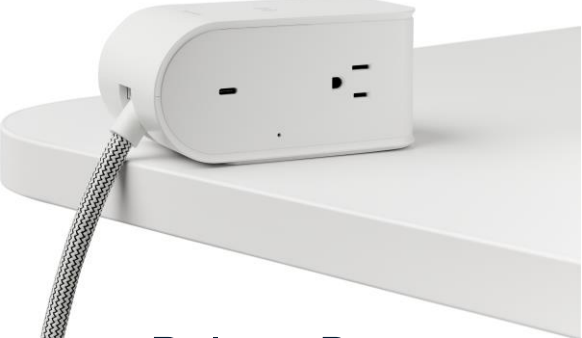




Devens



E2 Dual



Belong Power

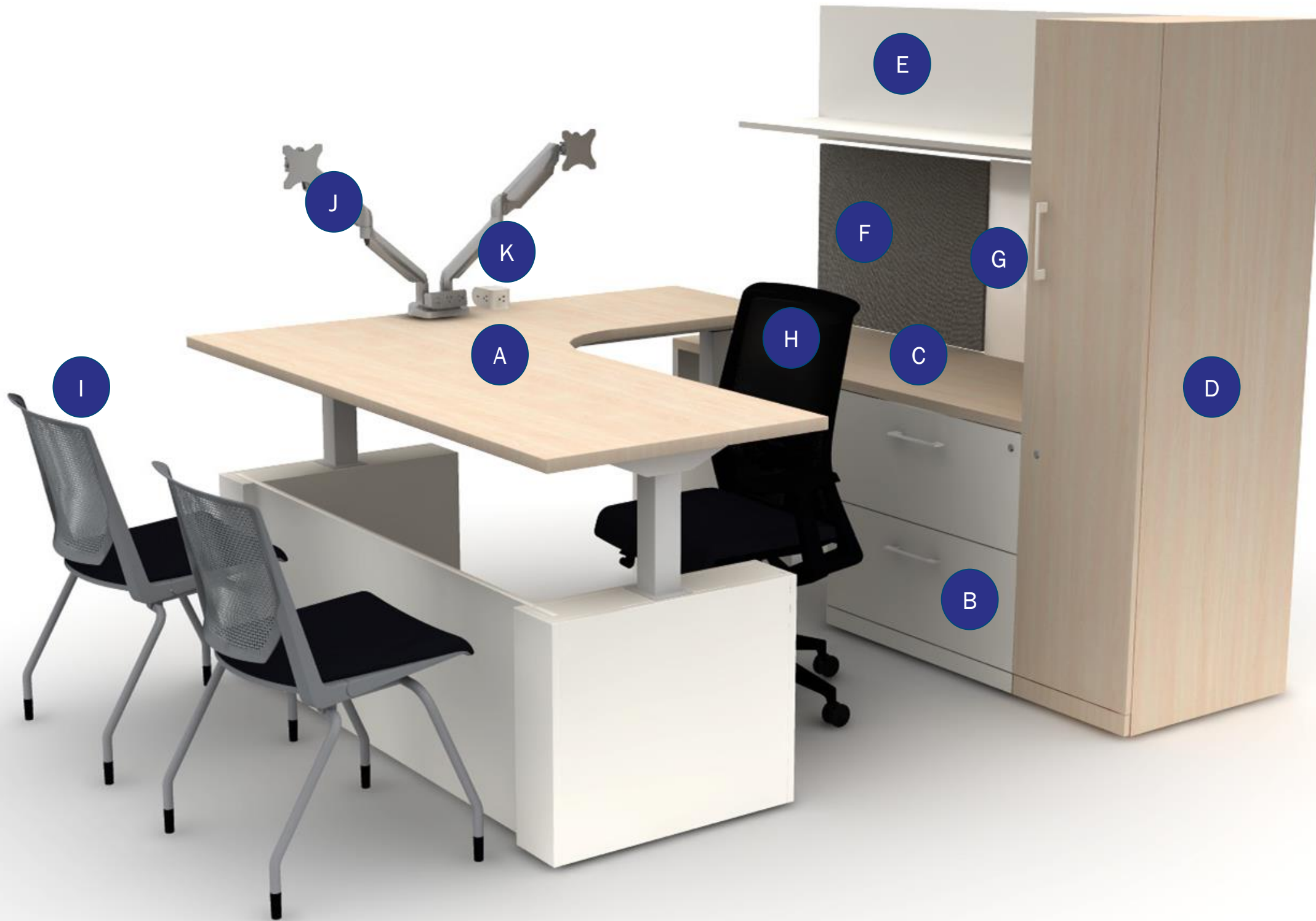


Soji

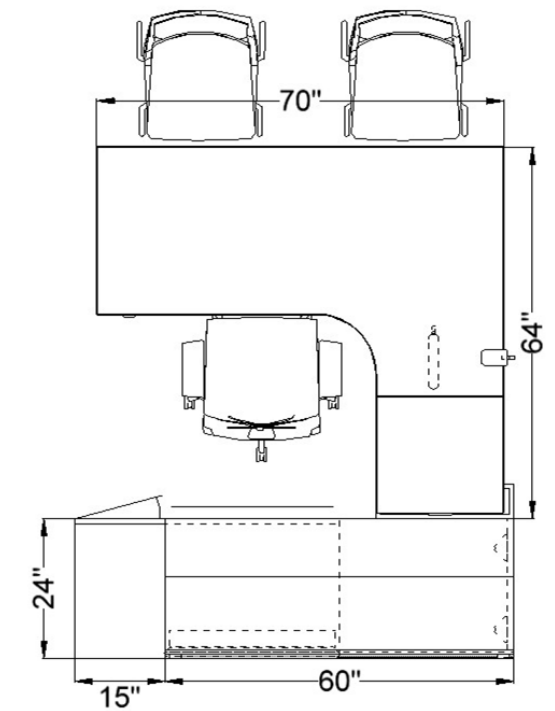
Frameless Glass

NOTES

- Master Series Laminate Desking
 A. 64" x 70" L - Shape Height Adjustable Table with Full Modesty Shroud
 B. 30" Lateral File
 C. 24" x 60" Credenza Surface
 D. 15" x 66" Wardrobe
 E. 60" Wall-Mounted Shelf with Task Light
 F. 30" Tackboard
 G. 30" Markerboard
 H. Task Chair
 I. Guest Chair
 J. Dual Monitor Arm
 K. Power Suite

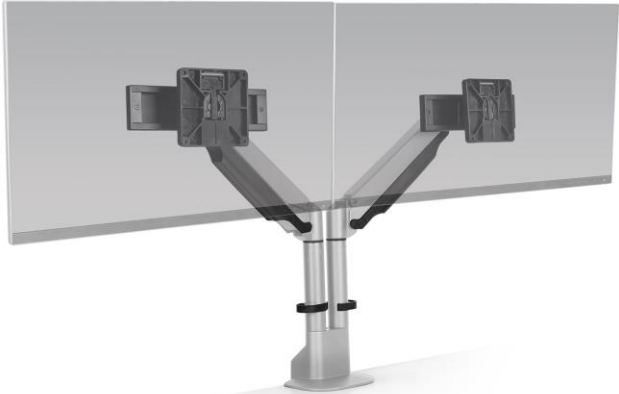


PLAN VIEW





Very



E2 Dual



Belong Power



Very Side Chair

Frameless Glass

Project Schedule

Date/Week Of	Action	Team	Content	Notes
02/23/24	Kick Off Meeting	Marcus Corp, EUA, M&M, Haworth	Discuss project drivers, priorities, aesthetic direction, value engineering options, potential site/showroom visits.	M&M to procure samples of all proposed building finishes
02/25/24	Site Visits & Production	Marcus Corp, EUA, M&M, Haworth	Opportunity to visit client sites, Merchandise Mart, M&M Showroom. M&M Creative team begins production work	M&M Team to begin obtaining product samples for review
03/04/23	Schematic Design Meeting	Marcus Corp, M&M Creative Team	Live design session- workstations & private office, ancillary look book review, preliminary fabric and finish discussion.	Typicals based on prior feedback. Prequalify look book content with EUA
03/11/24	Schematic Design Meeting	Marcus Corp, M&M Creative Team	Live design session- review revisions, preliminary color palette, integration with building finishes.	All imagery provided to EUA in advance of meeting for review and feedback
03/15/24	Construction Starts			
03/15/24-07/01/24	Construction Meetings & Site Visits	M&M Project Management	Attend weekly construction meetings as needed.	
03/18/24	Design Development Meeting	Marcus Corporation, M&M Creative Team,	Live design session- review populated floor plans & typicals. Determine electrical locations required and begin site coordination.	All imagery provided to EUA in advance of meeting for review and feedback
03/25/35	Design Development Meeting	Marcus Corporation, EUA, M&M Creative Team	Live design session- review populated floor plans & typicals. Test product samples, accessories, workstation options.	All selections to be made at conclusion of this meeting
04/01/24	Specification Review Meeting	Marcus Corporation, M&M Team	Final review of floor plans, renderings, finishes, & sign off packet.	All final documents to be provided to EUA in advance of meeting
04/08/24	Specifications & Pricing	Marcus Corporation, EUA, M&M Team	Complete furniture sign off package complete, checked, and approved.	
04/15/24	Furniture Order Date	M&M Team		
04/22/24	Vendor Acknowledgements	M&M Project Management	Track and begin coordination of product and coordinate with timeline.	
04/22/24-06/10/24	Receipt & Delivery Management	M&M Project Management	Continue vendor coordination. Attend construction meetings and review site.	Review any unexpected challenges with Marcus Corp/EUA team
06/15/24	Installation 4th Floor	M&M Project Management		
06/21/24	Punch List of 4th Floor	Marcus Corp, M&M Team	Inspection of installed furnishings and documentation using PlanGrid.	Digital distribution to team.
07/01/24	Installation 12th & 13th Floor	M&M Project Management		
07/16/24	Punch List of 12th & 13th	Marcus Corp, M&M Team	Inspection of installed furnishings and documentation using PlanGrid.	Digital distribution to team.
07/17/24	Substantial Completion			

Landmark Credit Union

Brookfield, WI





Landmark Credit Union

Brookfield, WI



National Guardian Life

Madison, WI



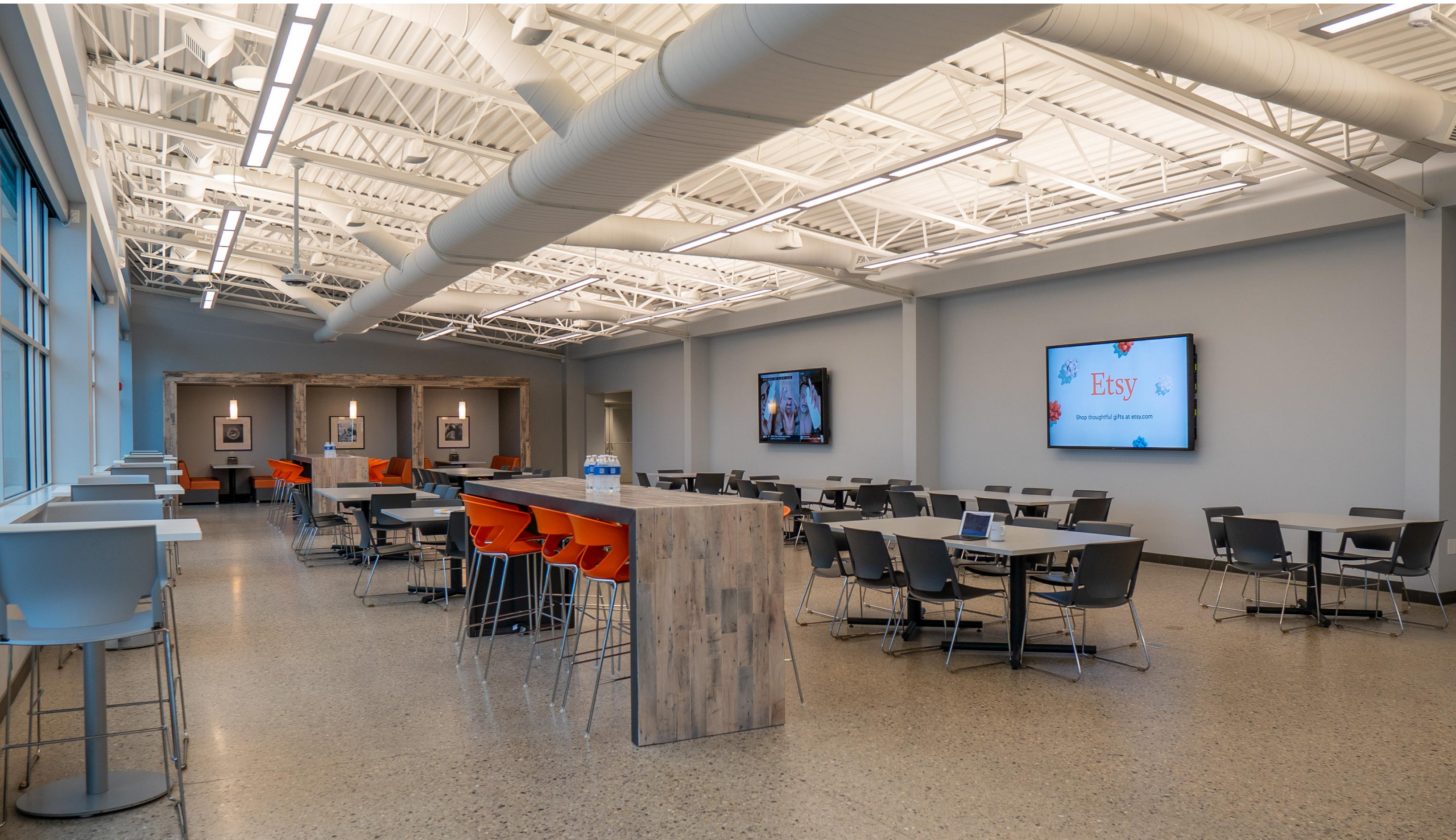




Husco

Waukesha, WI









Thank You

W233 N2833 Roundy Circle West, Suite 100
Pewaukee, WI 53072

262.317.1800

todonnell@mloffice.com

